

1 2 3 4 5 6

A

B

C

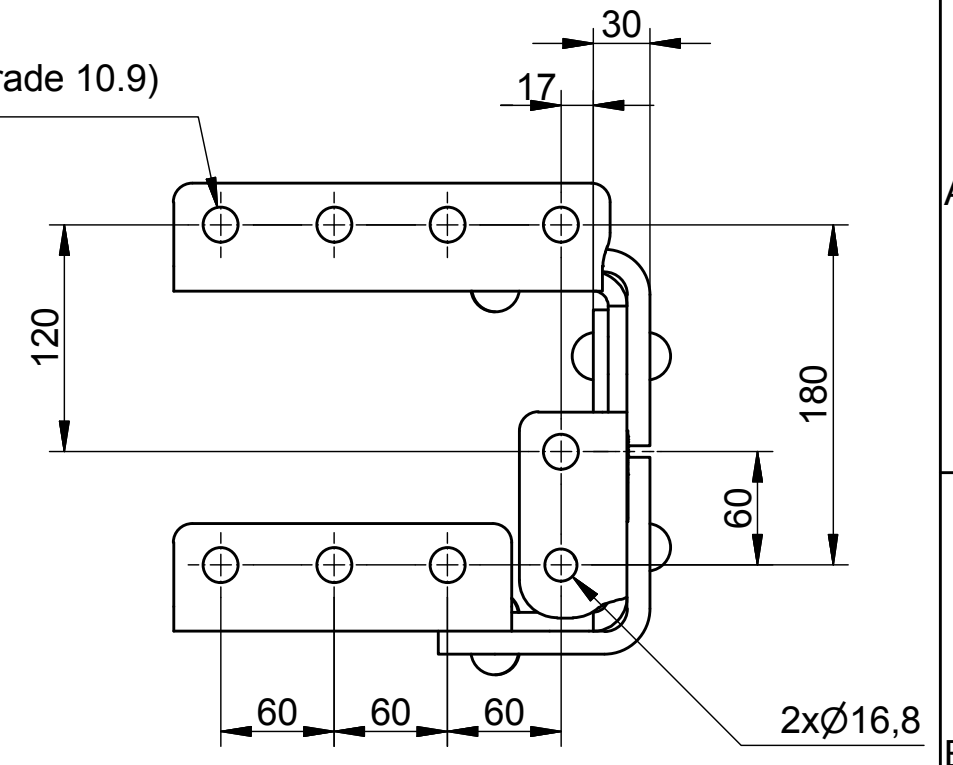
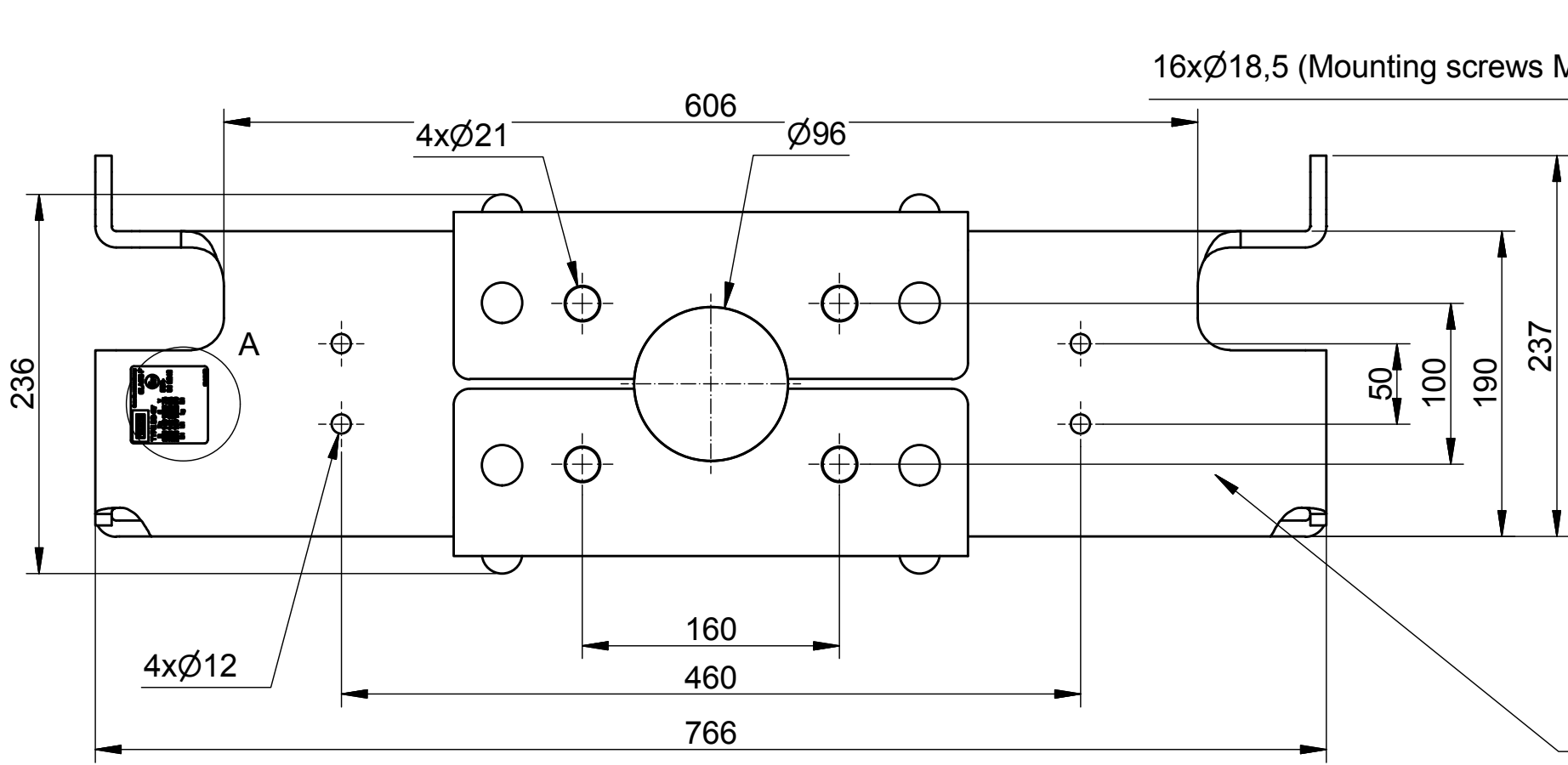
D

A

B

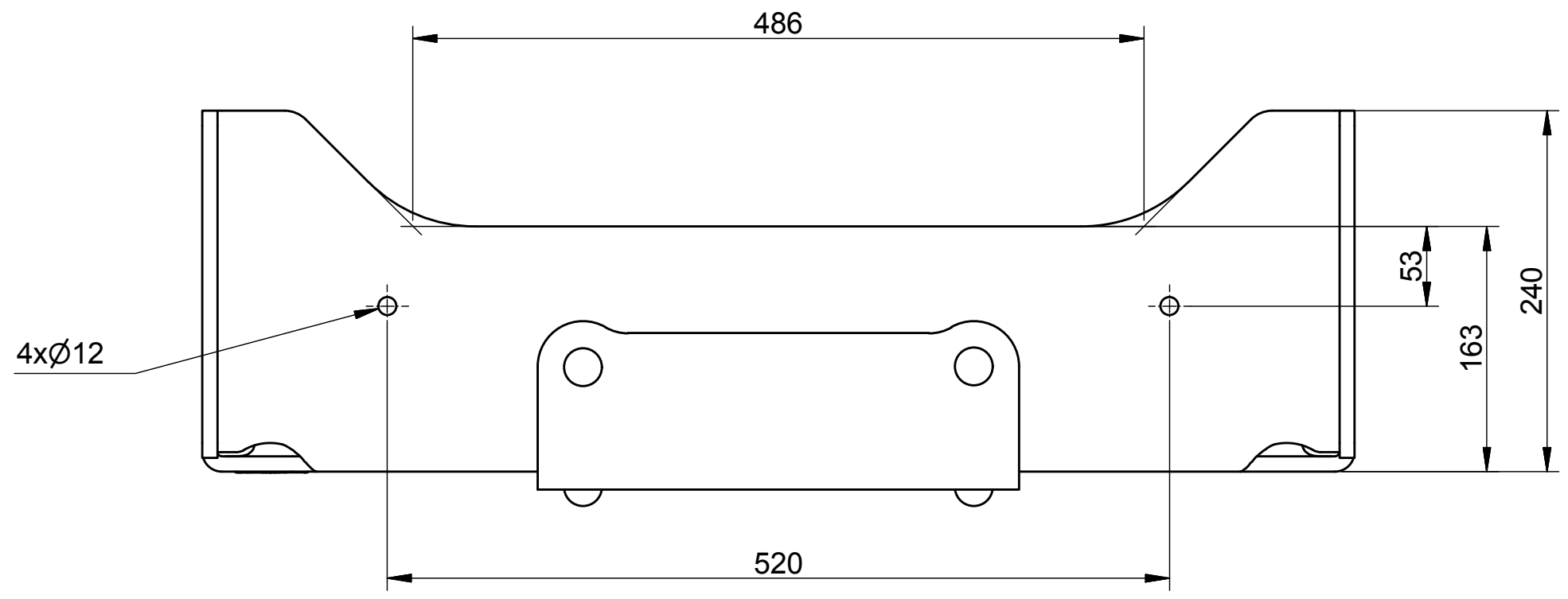
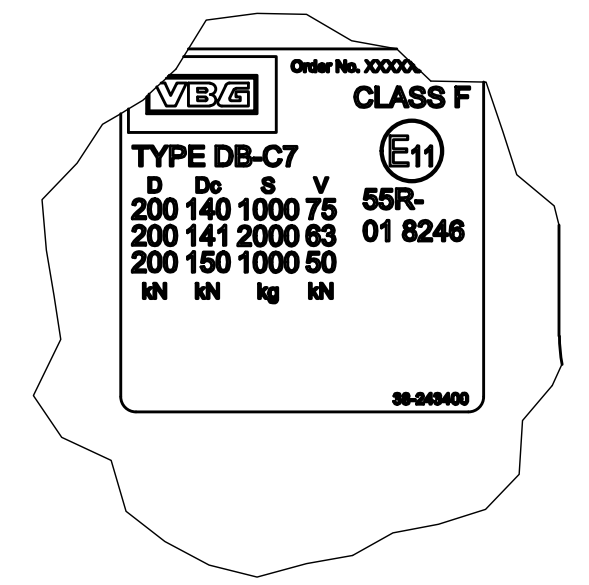
C

D



ID MARKING
"VBG 20-1053"

A (1:1)



1 Measure for information only

VBG GROUP	Modified Date	Modified by	Modification No.	Issue
	2018-02-07	PR	13048	C
Description DB-C7 DAF	3D Model No.	Engineer		
	20-105300	SJ		
Sheet Size	Scale	Projection	Drafting Date	Drafted by
A3	1:4	1st Angle	2011-08-30	SJ
Stage	Drawing No.			
P	20-105300 (F) INFO			
This drawing is the property of VBG Group AB and is protected in accordance with prevailing law. Changes must be made in CAD-program, this concerns both 2D & 3D.				

1 2 3 4 5 6