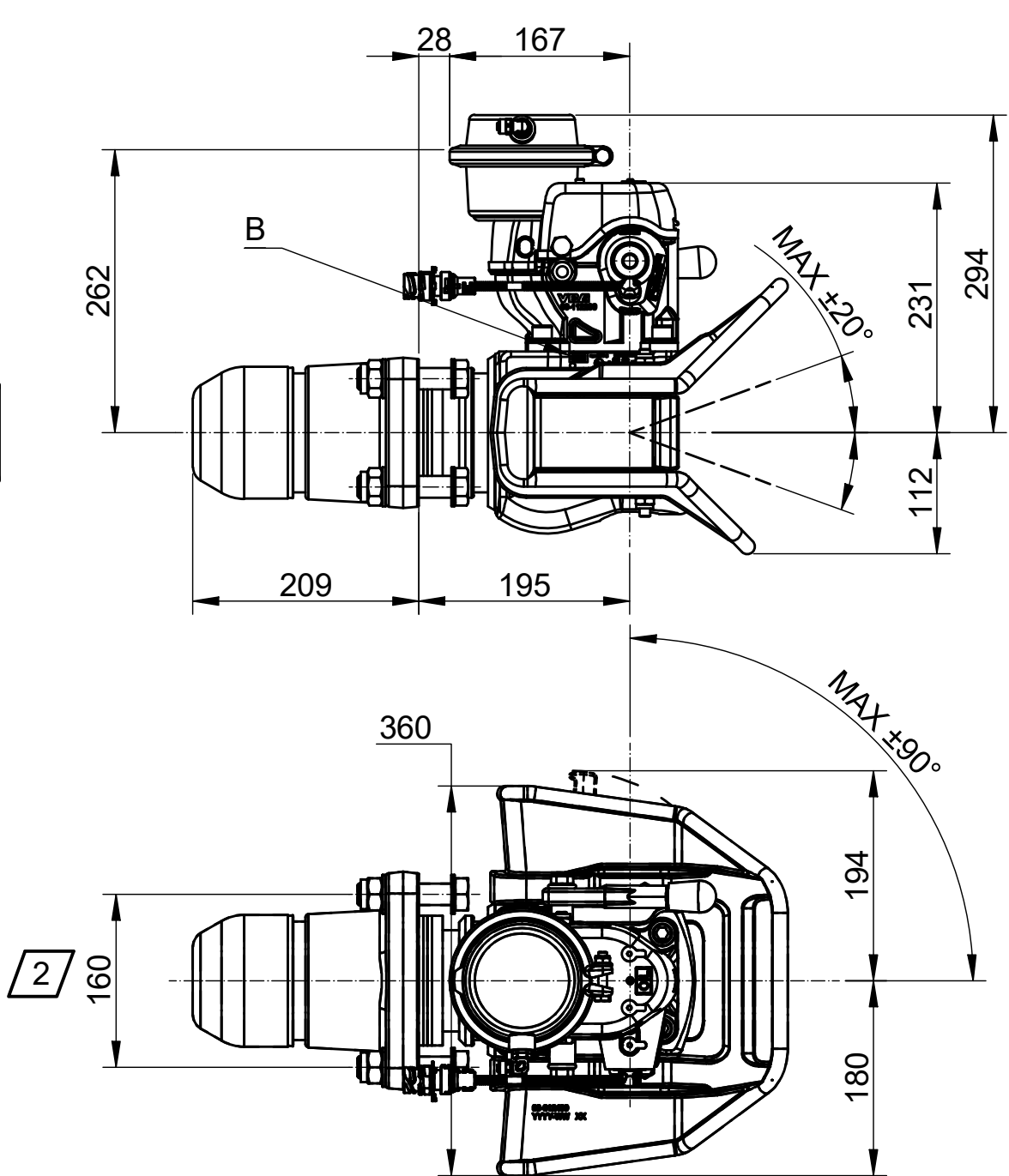


- Operation alternatives:**
1. Valve box
  2. C-connector
  3. Palm connector
  4. Duomatic connector



A (1:1)

B (1:1)

**VBG**

TYPE 575V-2/590VR-2 AM  
 PART 09-072500  
 NO. NO./YEAR/WEEK

VBG GROUP TRUCK EQUIPMENT AB

**VBG** Class: C50-X No: XXXXXX XXXX

**E11** D **AK 1: AK 2:**  
 200 200 kN  
 De 130 130 kN

Type: 575V-2 55R- s 1000 2000kg  
 Part: 09-3128 01 8247 v 75 63 kN

**2** Mounting dimensions acc. to ISO 3584:2001 category 5-7

**1** Measures for information only. Tolerance ±10mm.

<b>VBG</b>				
<b>VBG GROUP</b>	Modified Date	Modified by	Modification No.	Issue
	2019-05-06	HB	13306	a
Description Coupling VBG 575V-2 AM long/short	3D Model No.	09-312800		Engineer
	Sheet Size		Scale	Drafting Date
A3		1:6	2012-04-02	Drafted by
Stage		Drawing No.		
P		09-312800 (F) INFO		
This drawing is the property of VBG Group AB and is protected in accordance with prevailing law. Changes must be made in CAD-program, this concerns both 2D & 3D.				