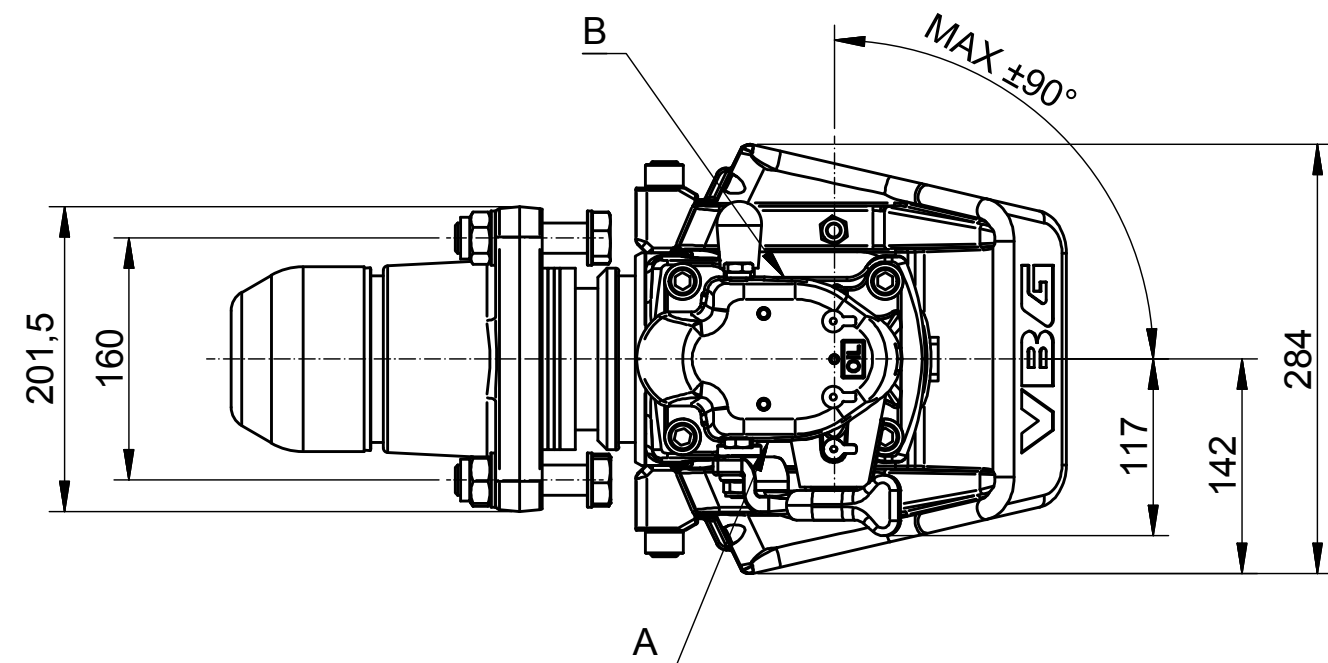


Acc to standard
 SS 550000-1 Category 5
 SS550100-1 C57

Dimension	Actual measure
M	139
N	201,5
P	206
Q	347
R	136
S	275
T	16-30
J	284
K	142
L3	193



A (1:1)

VBG Class: S No: XXXXXX XXXX
 Alt 1: Alt 2:
 D 290 290 kN
 De 145 150 kN
 Type: 795V-2 55R- S 1000 2000kg
 Part: 09-2551 01 0065 v 95 75 kN

B (1:1)

VBG
 TYPE 750V / 795V
 PART 09-186000
 NO. NO./YEAR/WEEK
 VBG GROUP TRUCK EQUIPMENT AB

1 Measures for information only. Tolerance ±10mm.

VBG				
VBG GROUP	Modified Date	Modified by	Modification No.	Issue
	2018-01-04	SN	13005	C
Description Coupling VBG 795V-2 short/long	3D Model No.		Engineer	
	09-255100		KP	
	Sheet Size	Scale	Projection	Drafting Date
A3	1:5	⊕	2014-04-15	Drafted by
Stage	Drawing No.			
P	09-255100 (F) INFO			
This drawing is the property of VBG Group AB and is protected in accordance with prevailing law. Changes must be made in CAD-program, this concerns both 2D & 3D.				