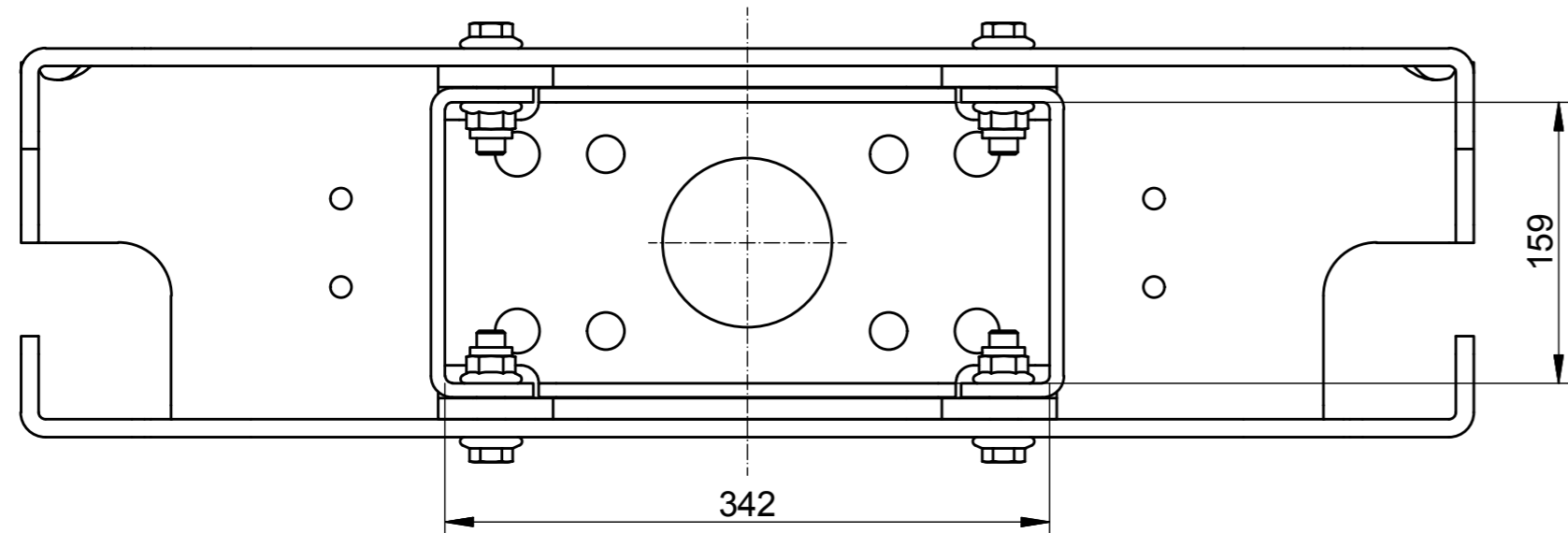
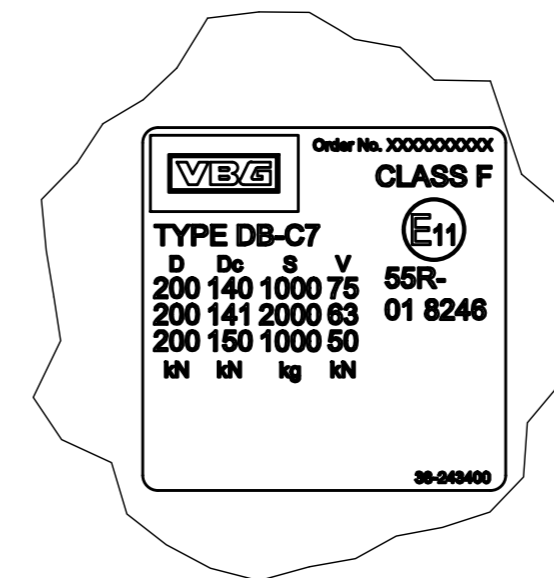


A (1:1)



1 Measure for information only

VBG GROUP	Modified Date	2016-06-20	Modified by	sj	Modification No.	12718	Issue	b
	3D Model No.	20-112400			Engineer	SJ	Checked by	
	Sheet Size	A2	Scale	1:4	Projection		Drafting Date	2014-05-27
	Stage	P	Drawing No.	20-112400 (F) INFO				
Description: DB-C7 MB 50x50 (822)								
<small>This drawing is the property of VBG Group AB and is protected in accordance with prevailing law. Changes must be made in CAD-program, this concerns both 2D & 3D.</small>								