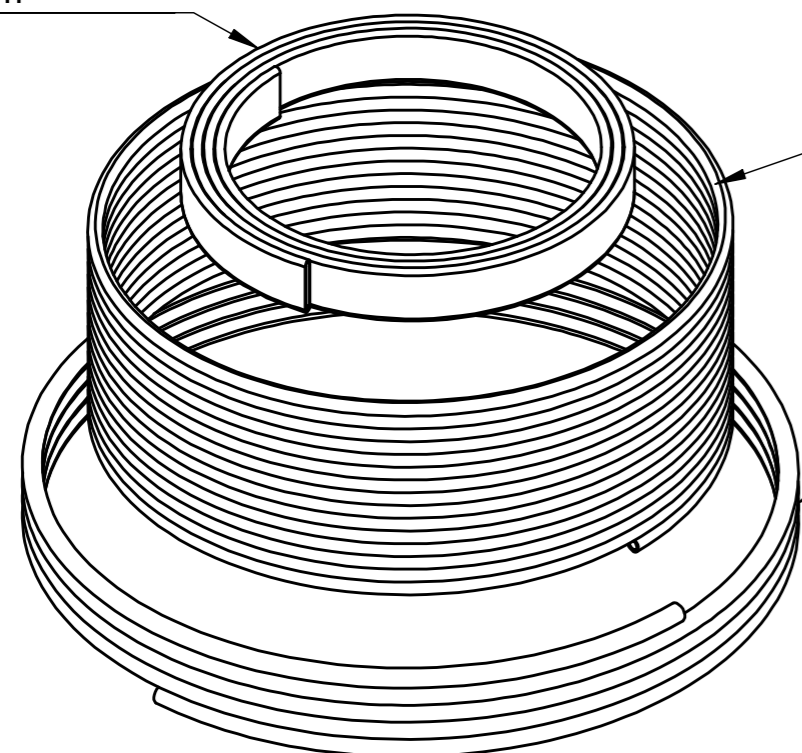
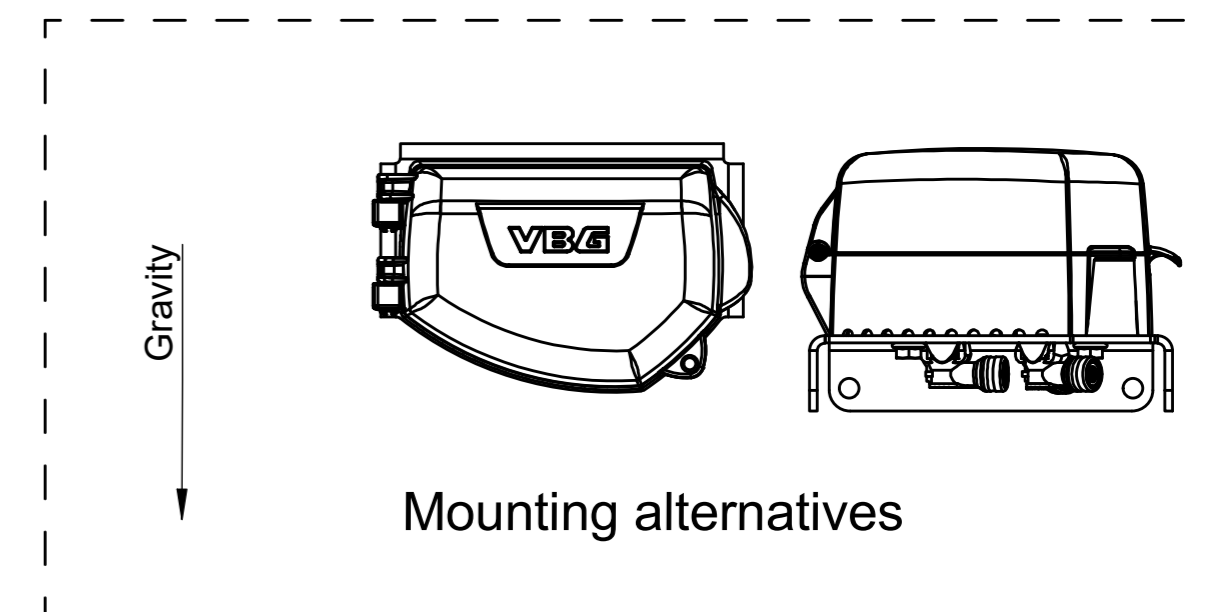
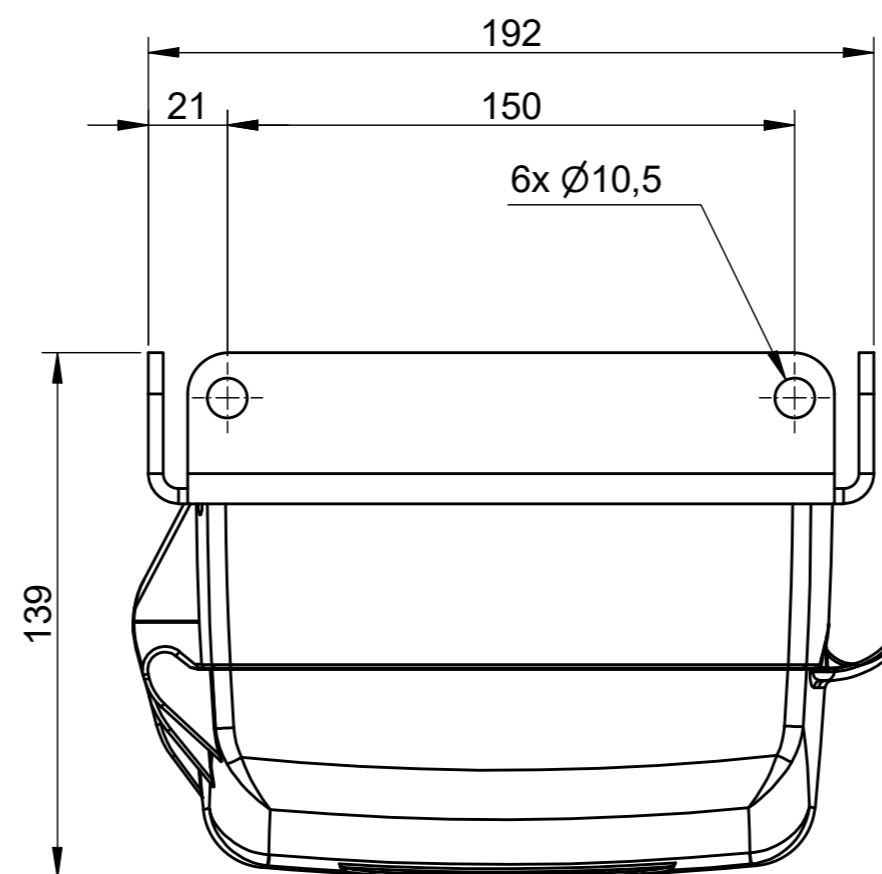


Protective hose
1.75m



Pneumatic hose
Ø6x1 DIN 74324
12m

Pneumatic hose
Ø8x1 DIN 74324
4m



Mounting alternatives

Dimensions for information only. Tolerance ±5.



VBG GROUP

Description
VBG valve box horizontal kit

Modified Date 2021-07-01	Modified by HB	Modification No. 13001	Issue a
3D Model No. 29-047100	Engineer HB	Drafting Date 2021-07-01	Drafted by HB
Sheet Size A2	Scale 1:2	Projection First Angle	Stage P
Drawing No. 29-047100 (F) INFO			

This drawing is the property of VBG Group AB and is protected in accordance with prevailing law. Changes must be made in CAD-program, this concerns both 2D & 3D.